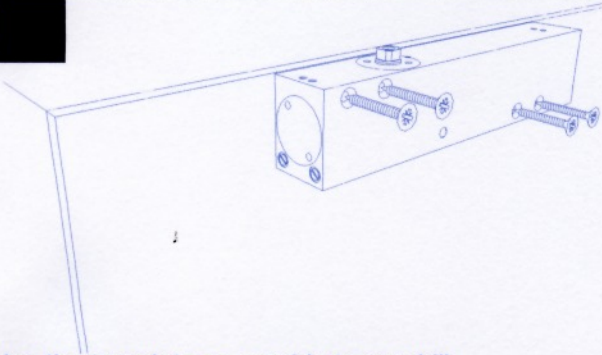


# FITTING INSTRUCTIONS

## PLEASE READ CAREFULLY BEFORE ASSEMBLY AND FIXING

1



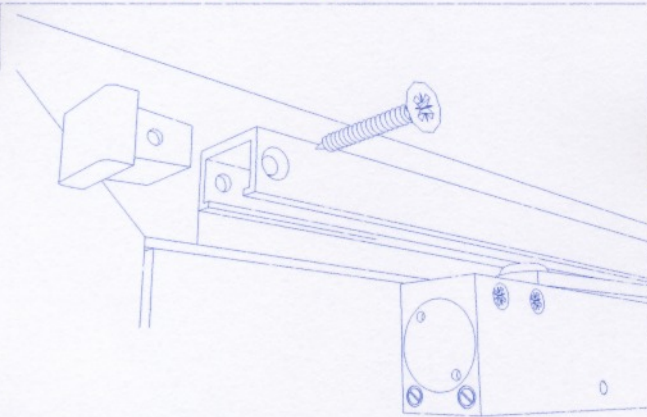
Use the template as a guide to pre drill

2



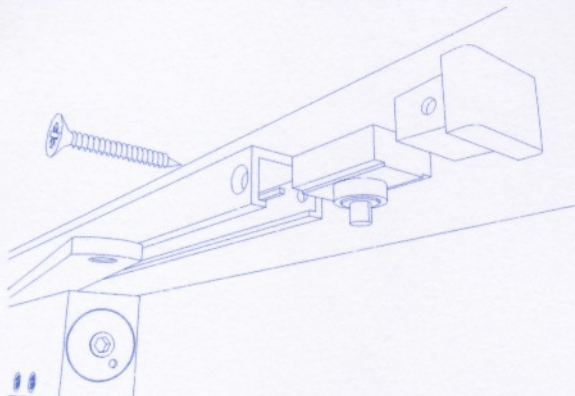
Arm position at rest

3



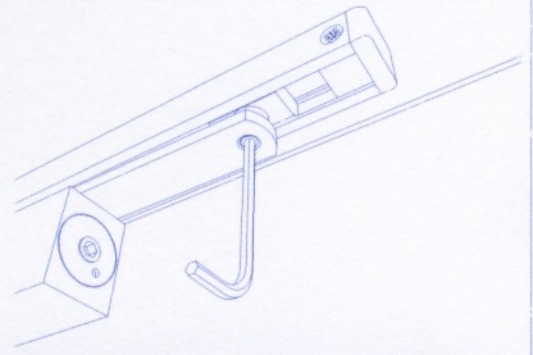
Using the template as a guide fix one end of the track(end cap then screw)

4



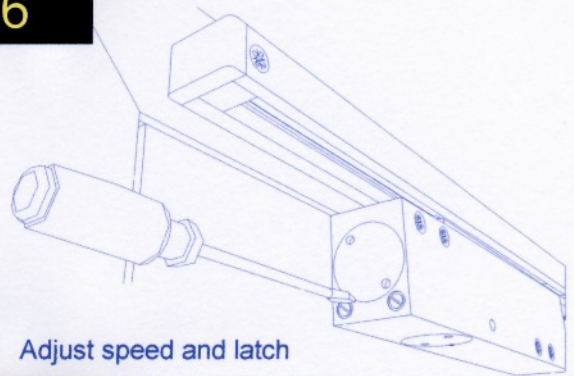
Slide the plastic slider block with the rivet into the track followed by the end cap and screw.

5



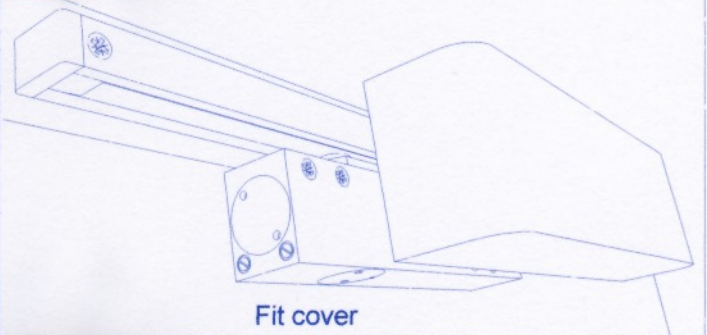
Pre load the arm until the thread in the arm is inline with the thread on the rivet, insert your 5mm hex key through the threaded hole in the arm and into the rivet and tighten in an anti-clockwise action.

6



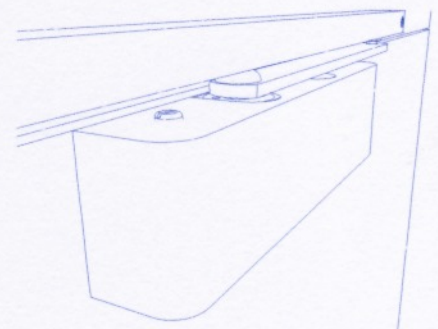
Adjust speed and latch

7



Fit cover

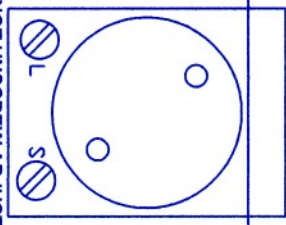
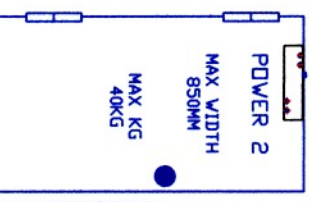
8



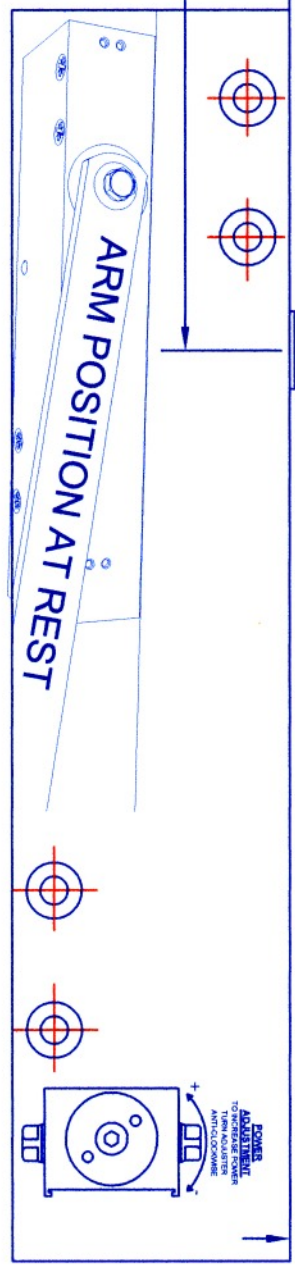
Secure cover 2x cover screws



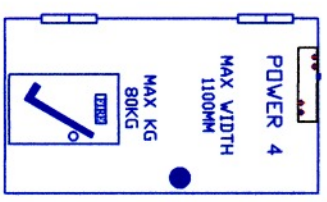
**LEFT HAND HINGE**



175



**ARM POSITION AT REST**

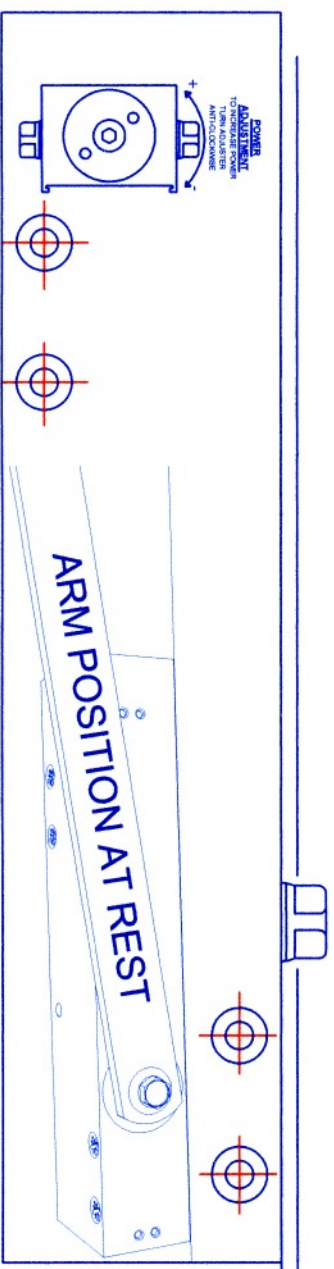


CAUTION: DO NOT UNSCREW ADJUSTERS MORE THAN 3 TURNS FROM FULLY CLOSED POSITION

**FITTING TEMPLATE ONLY  
FITTING INSTRUCTIONS ON SEPARATE SHEET.**

**IMPORTANT NOTES**  
1/ THE FACE OF THE DOOR MUST BE FLUSH WITH THE DOOR FRAME.  
2/ THE SLIDE TRACK MUST BE SECURELY FITTED TO THE DOOR FRAME DO NOT FIT ONTO THE ARCHITRAVE.

**RIGHT HAND HINGE**

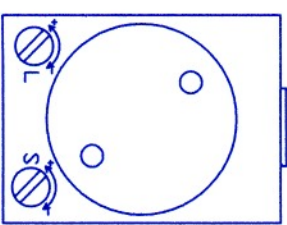


**CE** ARROW ARCHITECTURAL  
Tything Road  
Alcester  
B496ES

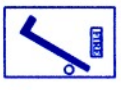
1121-AD0191	EN1154:1997+A1 2002
3811113	

Max opening 120°

Approved Product  
CF 5038



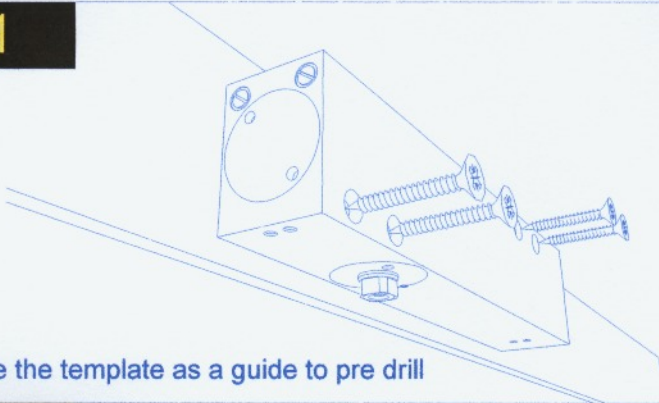
CAUTION: DO NOT UNSCREW ADJUSTERS MORE THAN 3 TURNS FROM FULLY CLOSED POSITION



# FITTING INSTRUCTIONS

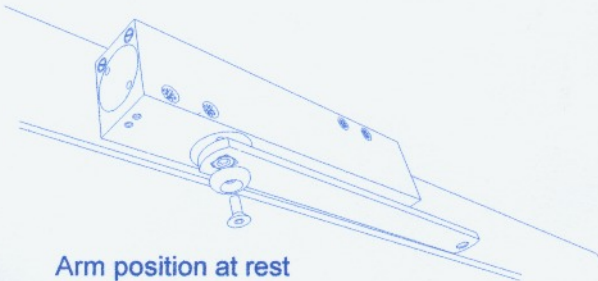
## PLEASE READ CAREFULLY BEFORE ASSEMBLY AND FIXING

1



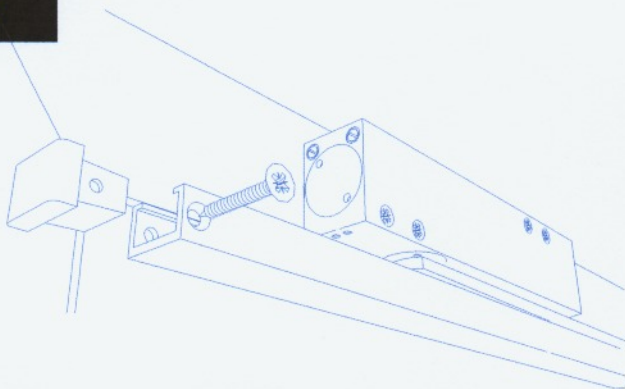
Use the template as a guide to pre drill

2



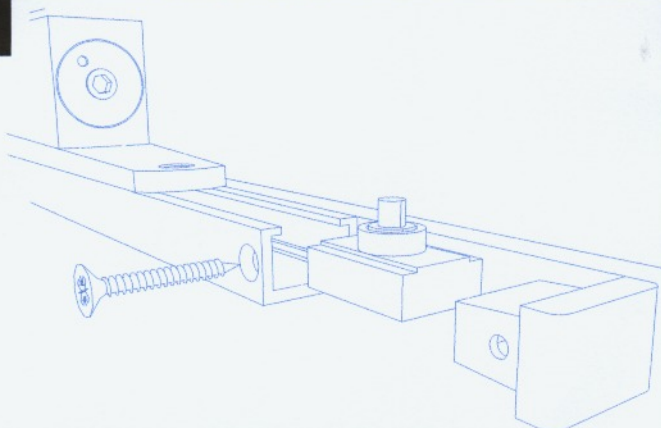
Arm position at rest

3



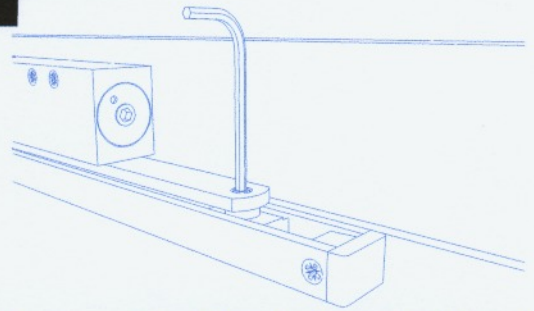
Using the template as a guide fix one end of the track(end cap then screw)

4



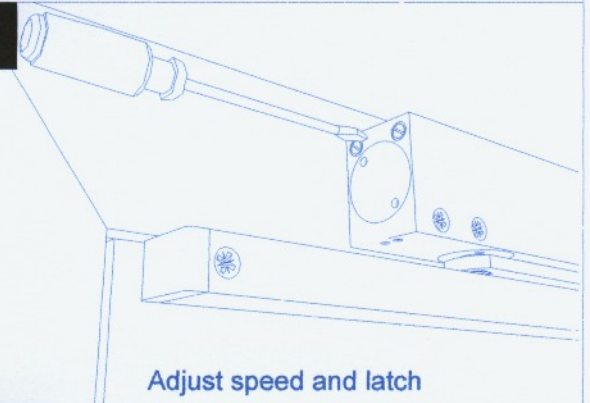
Slide the plastic slider block with the rivet into the track followed by the end cap and screw.

5



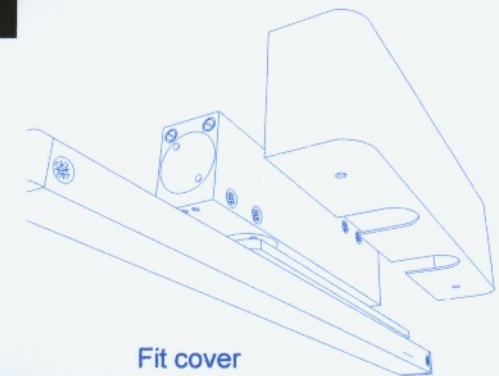
Pre load the arm until the thread in the arm is inline with the thread on the rivet, insert your 5mm hex key through the threaded hole in the arm and into the rivet and tighten in an anti-clockwise action.

6



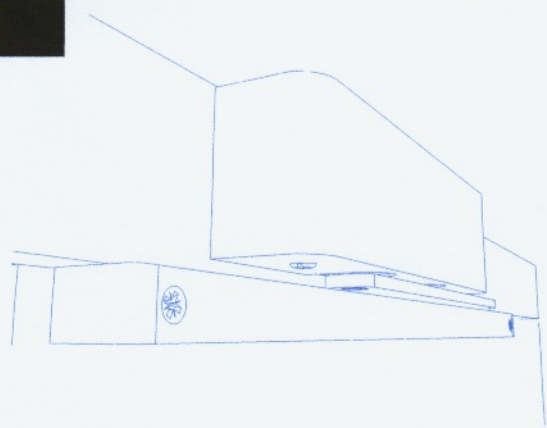
Adjust speed and latch

7

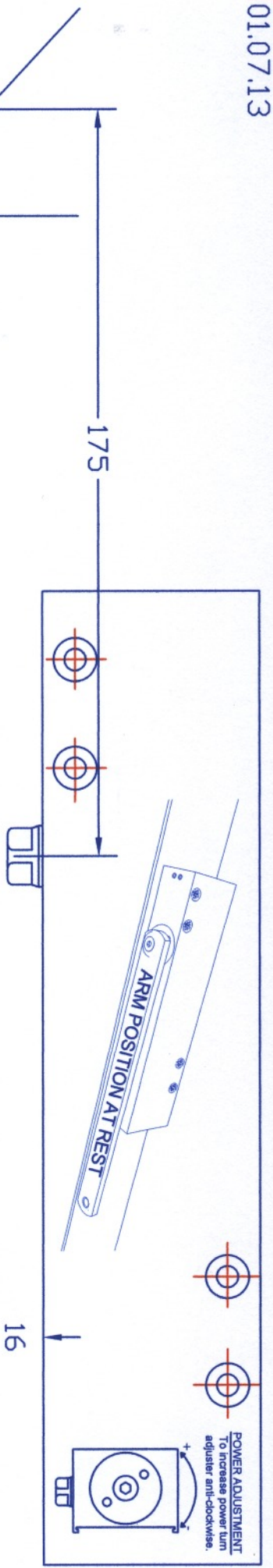


Fit cover

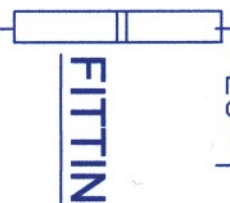
8



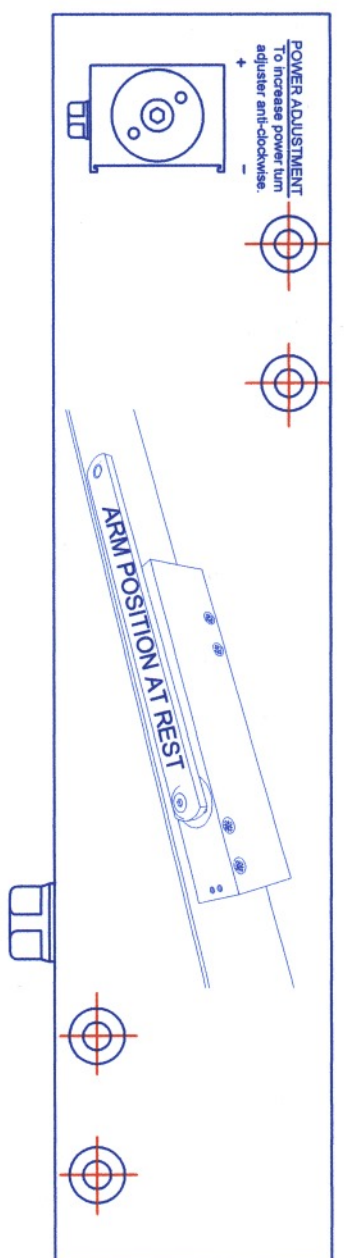
Secure cover 2x cover screws



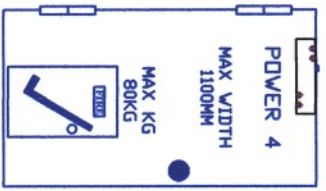
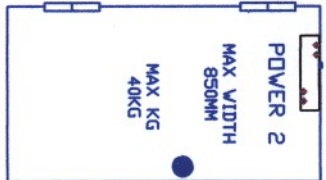
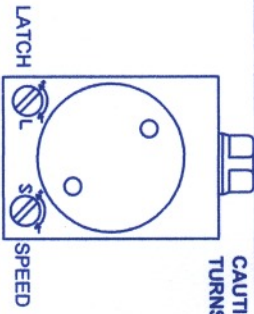
THIS WAY UP FOR LEFT HAND HINGE.



**FITTING TEMPLATE ONLY  
FITTING INSTRUCTIONS ON SEPARATE  
SHEET.**



THIS WAY UP FOR RIGHT HAND HINGE.



**IMPORTANT NOTES**

- 1/ THE FACE OF THE DOOR MUST BE FLUSH WITH THE DOOR FRAME.
- 2/ THE CLOSER MUST BE SECURELY FITTED TO THE DOOR FRAME DO NOT FIT ONTO THE ARCHITRAVE.

D.O.P down load available at [www.arrow-architectural.com](http://www.arrow-architectural.com)

**CE** ARROW ARCHITECTURAL  
Tything Road  
Alcester  
B496ES  
EN1154:1997+A1:2002  
1121-AD0191

Approved Product  
CF 5038  
Warrington  
Certific  
Centre

Max opening 120°